







Remote View from Anywhere
Lighting and Monitoring, Dual Protection.

- 
1080P Video
- 
Two-Way Audio
- 
5 x ZOOM
- 
Infrared Night Vision (Up to 60 meters)
- 
IP66 Dust and Water Protection
- 
Active Defense Alarm
- 
Supports MicroSD Card (Up to 128GB)







Solar Street Light with Security 4G CCTV Camera

Deliver security lighting & surveillance to any location, the remote transmission is possible without wiring. Simple Installation. Compact Connected. Self-powered.

Solar street light plus surveillance system with inbuilt CCTV and LED running on solar and an inbuilt dimmer, LiFePO4 lithium-ion battery, and light sensor.

The remote view enabled, standalone surveillance solution are perfect in areas without network /power infrastructure. This may include black spot monitoring, on farms, or in temporary CCTV application such as construction sites or events.

Product Benefits

-  100% powered by solar, without electricity bill
-  Wireless lighting & monitoring system, compact and easy to install
-  Built-in lithium-ion battery storage for both camera and light
-  With 24-hour surveillance, the crime rate will be decreased significantly
-  20% increase in charging efficiency by using MPPT solar charge controller
-  Lasts up to 5 working days from full charge in cloudy conditions

Key Feature

- * 2.0MP HD 4G camera with 60m Nightvision
- * 5 x optical zoom (2.7-13.5mm optical motorized lens)
- * H: 355°, V: 90° automatic rotary navigation
- * Two-way audio, two-way talk with HiFi Quality
- * Smart Alarm, be the first one to know everything
- 60°-60° tilt adjustable solar panel, maximize conversion rate
- * 270 ° adjustable head help the lighting go where you want
- * High brightness 160-180lm/w Bridgelux led module
- * 5 back up rainy days for luminaire and camera
- * 76mm pole mount diameter (pole not included)



Solar Powered IP 4G Surveillance


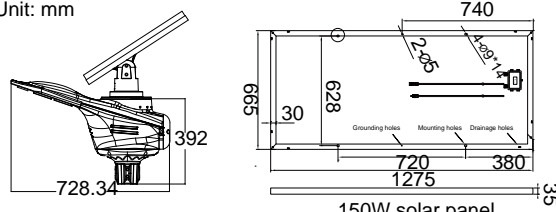
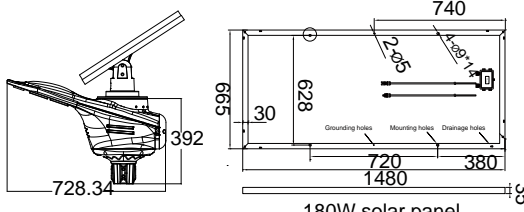


Microwave Motion Street Area Light

Solar Street Light with Securiy 4G CCTV Camera

Model	LNS-FH-40-B6C	LNS-FH-60-B6C
Solar Panel	150w 36v	180w 36v
Solar Cell Eencycy	19-20% Monocrystalline silicon (Motech brand)	
LiFePO4 Batey	30ah 25.6v /768wh	39ah 25.6v/998.4wh
Batey Lifespan	>2000 times, high-temperature resistance up to 65 degree	
Panel Adjustment	(-60° - 60° title adjustable)	
Ingress Protection	IP65	
Wind Resistance	Up to 65m /s	
Dimensions	1275x665x35mm	1480x665x35mm
Installation Height	6-7 meters	8-9meters
Installation Distance	18-25 meters	25-30 meters
Pole Diameter	76mm	
NW	13kg	14kg

Street /Area Light		
Light Module	40w Bridgelux Led	60w Bridgelux Led
Lumen Output	6400lm (160lm/w)	9600lm (160lm/w)
Light Characterlstics	150x70 TYPE II beam angle 6000K cool white 50.000hrs rated lifespan	
Motion Detection	Microwave motion senosr, 8-15m range (at 10m height)	
Working Time	12hrs per night, 1-5 back up rainy days	
Motion Detection	Microwave motion senosr, 8-15m range (at 12m height)	
Light adjustment	270 ° adjustable head help the lighting go where you want	
Working Hrs	Per night 12hrs for lamp, 24hrs for camera	
Housing Material	All die-casting alu with 316 screws, anti-corrision	

Camer Options		AP1320
WIFI Camera	<ul style="list-style-type: none"> • 2.0MP 1920x 1280 HD 4G PTZ Dome • 5 x optical zoom (2.7-13.5mm optical motorized lens), Infrared Night vision up to 60-80 meters • Two-way audio, wo-way talk with HiFi Quality • Motion detection alarm from your smatphone • Suppot 128GB MicroSD card for footage recording • Access through user-friendly APP(Android & IOS) or PC version • IP65 waterproof weather resistant 	
Solar Lamp Diagrams	<p>Unit: mm</p>  <p>150W solar panel</p>	 <p>180W solar panel</p>

Remote Function

- ON: Instant light ON
- OFF: Instant light OFF
- L Light control: 100% 2hr / 70% 2hr / 20% till dawn
- T Time control: 50% 1hr / 100% 4hr / 50% 3hr / 25% 4hr
- S Supper Brightnes100% 6hr / 50%6 hr
- M Microwave control: 100% Object move closer 🌿 / 30% Object move away 🌿
- U Time+Microwave control: 100% 2hr / 70% 2hr / 50% 2hr / 50% 20% 🌿
- -20%: Decrease 20% brightness based on original working mode
- +20%: Increase 20% brightness based on original working mode

